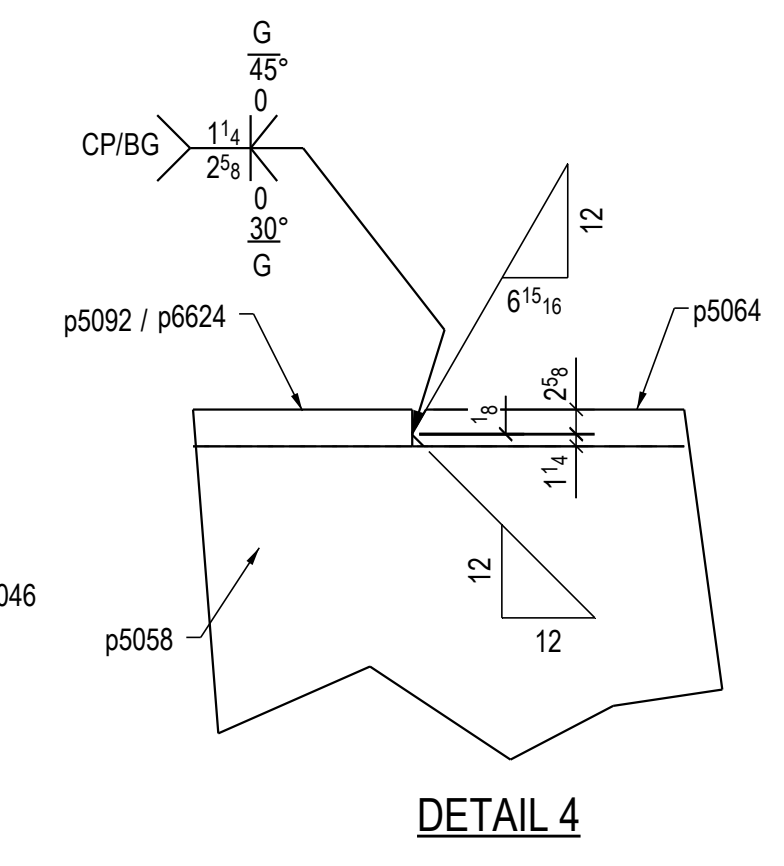
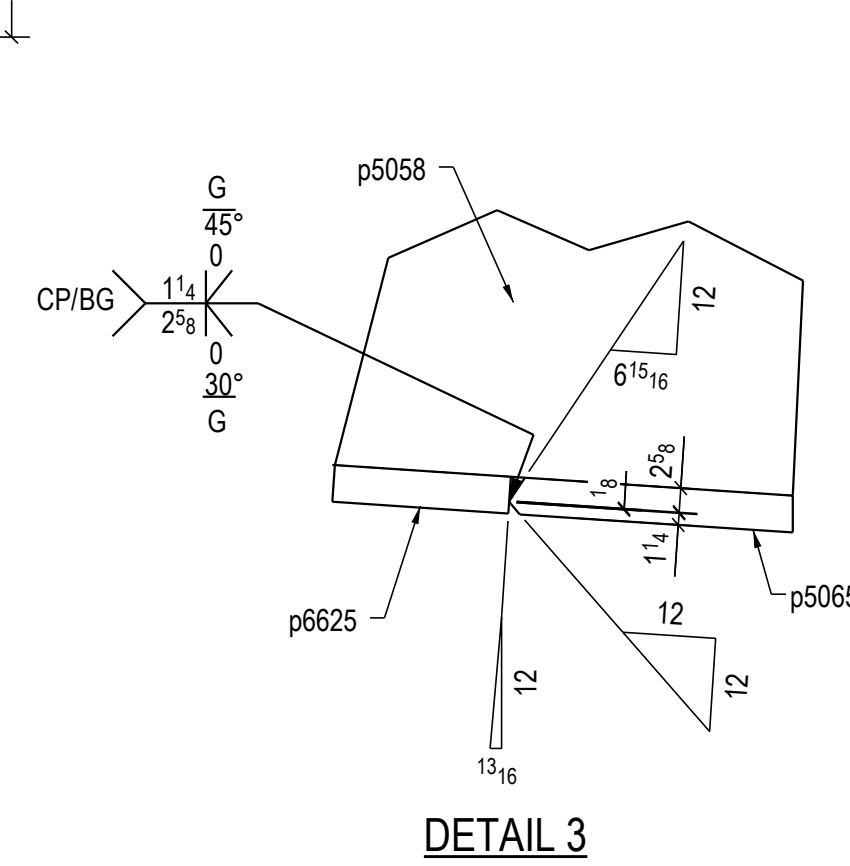
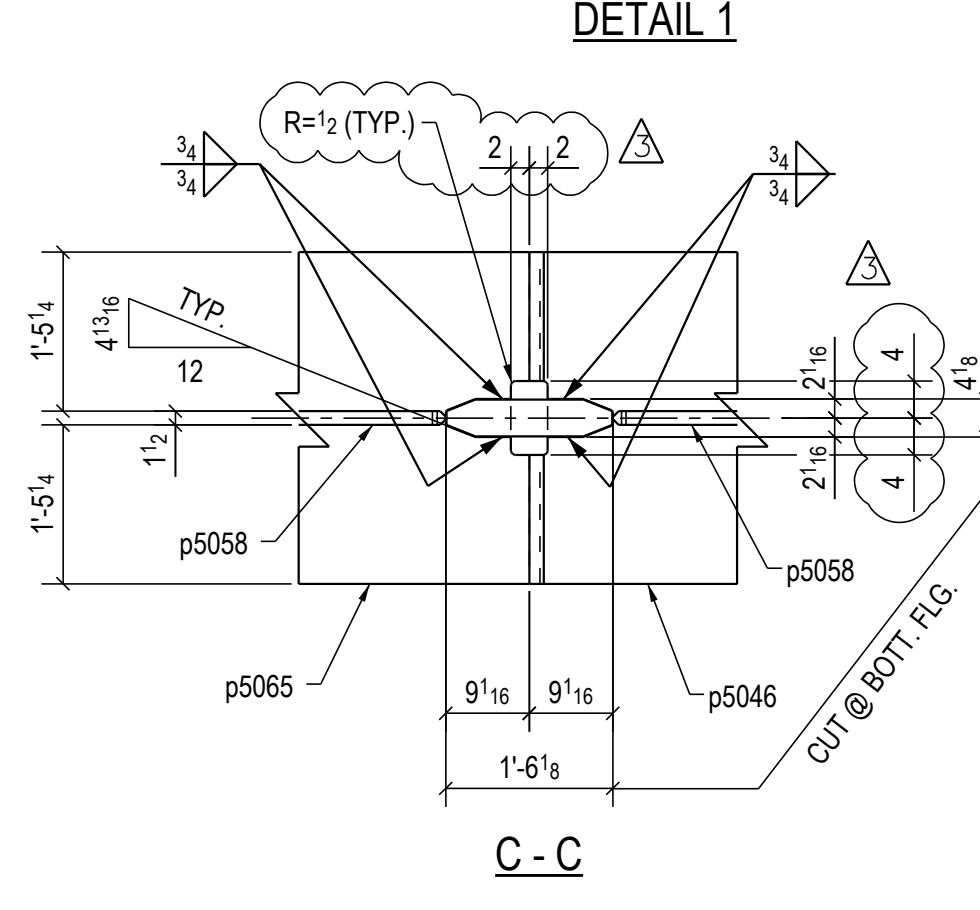
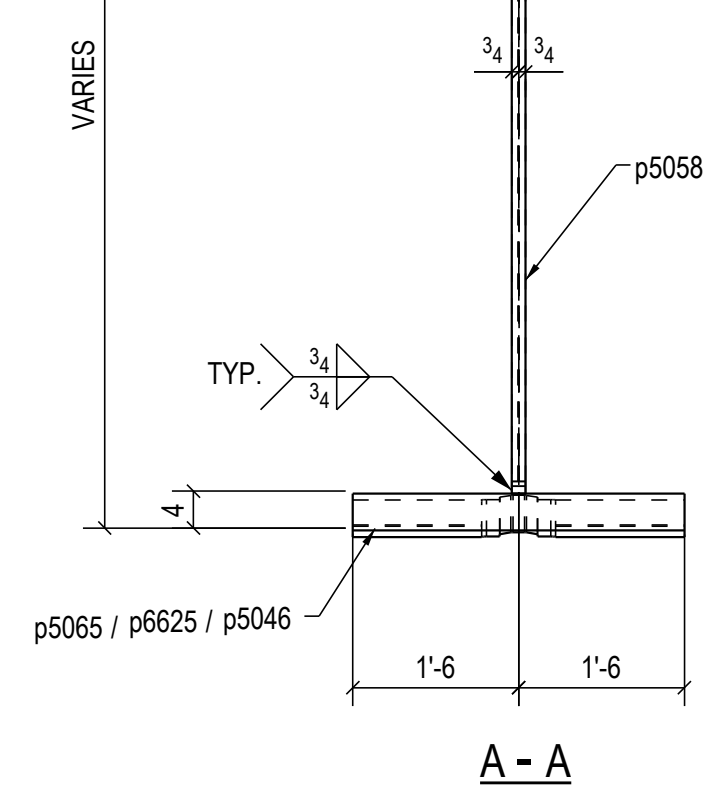
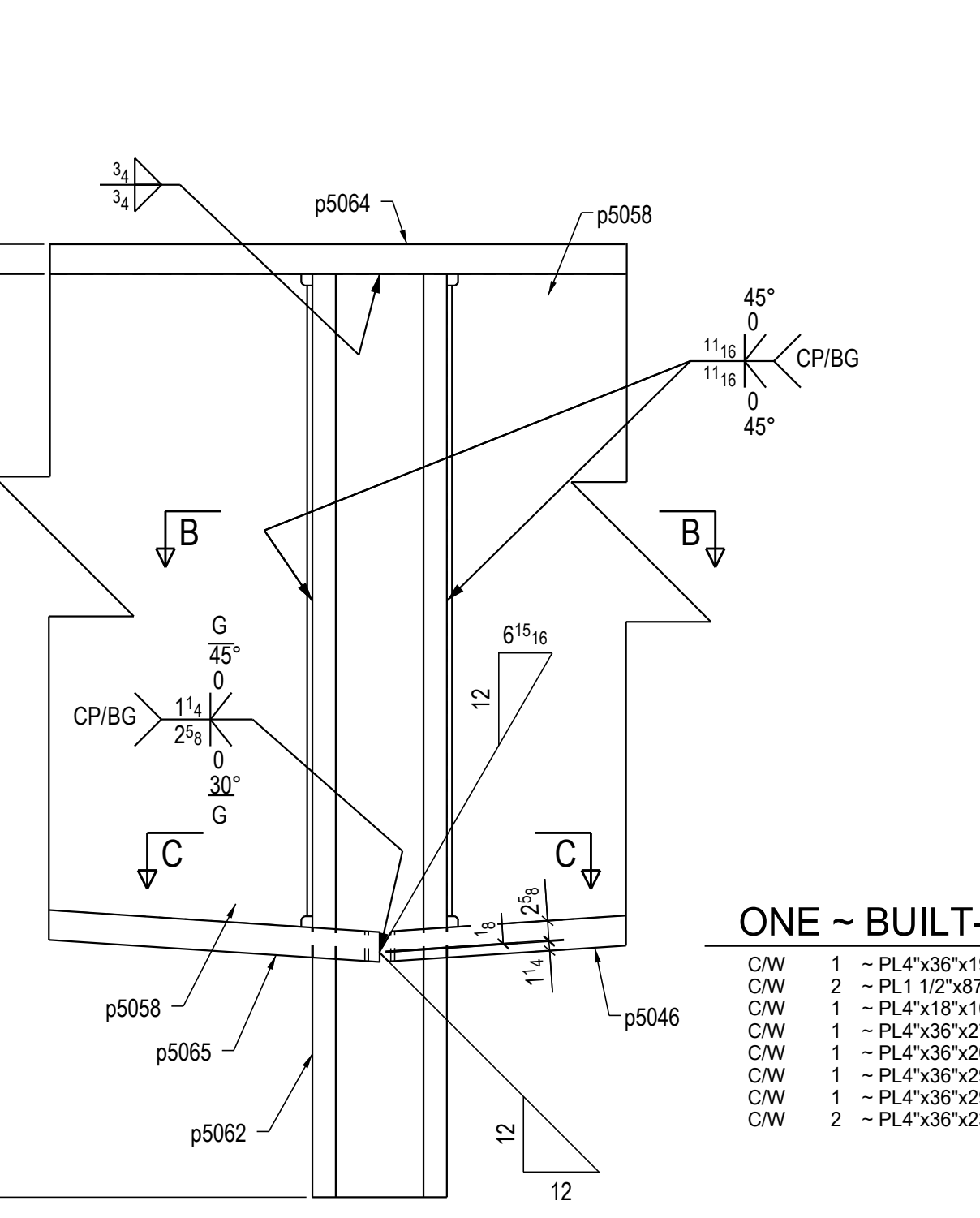
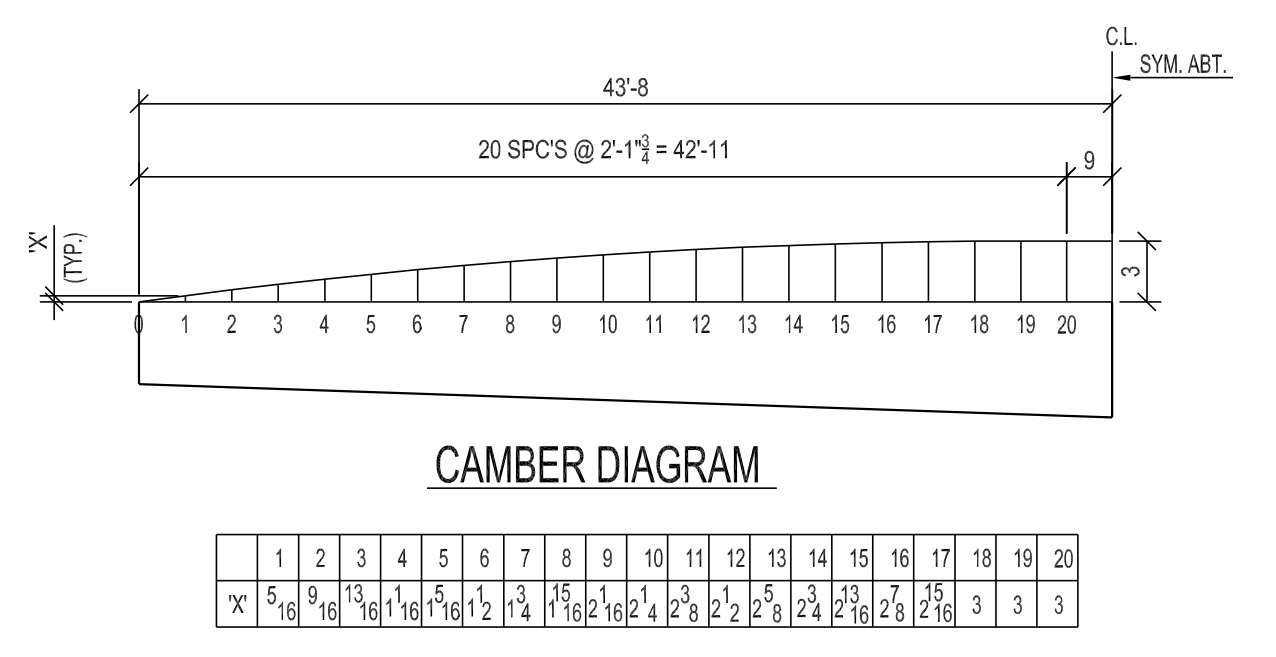
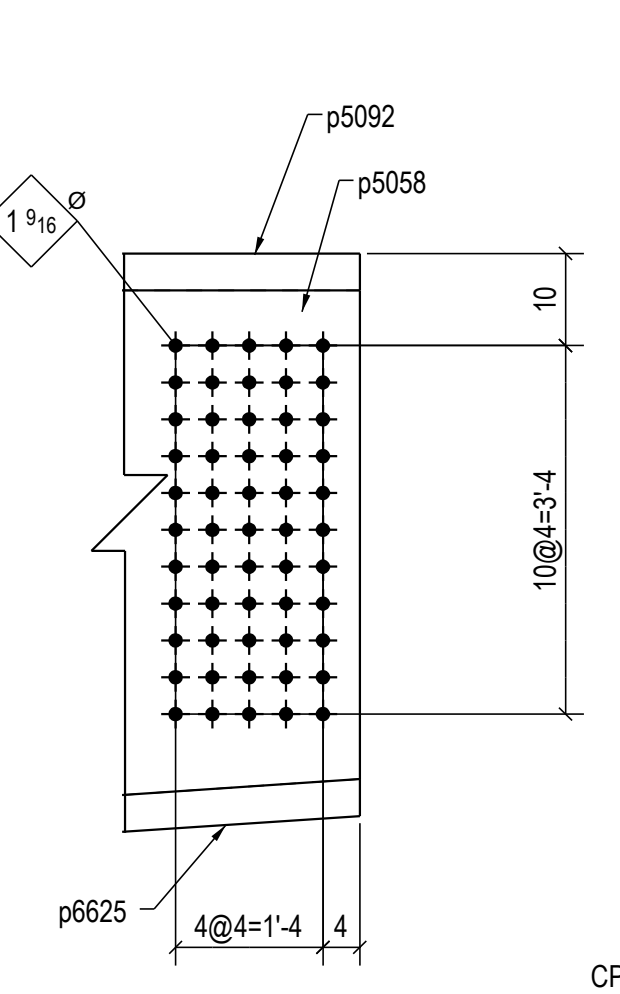
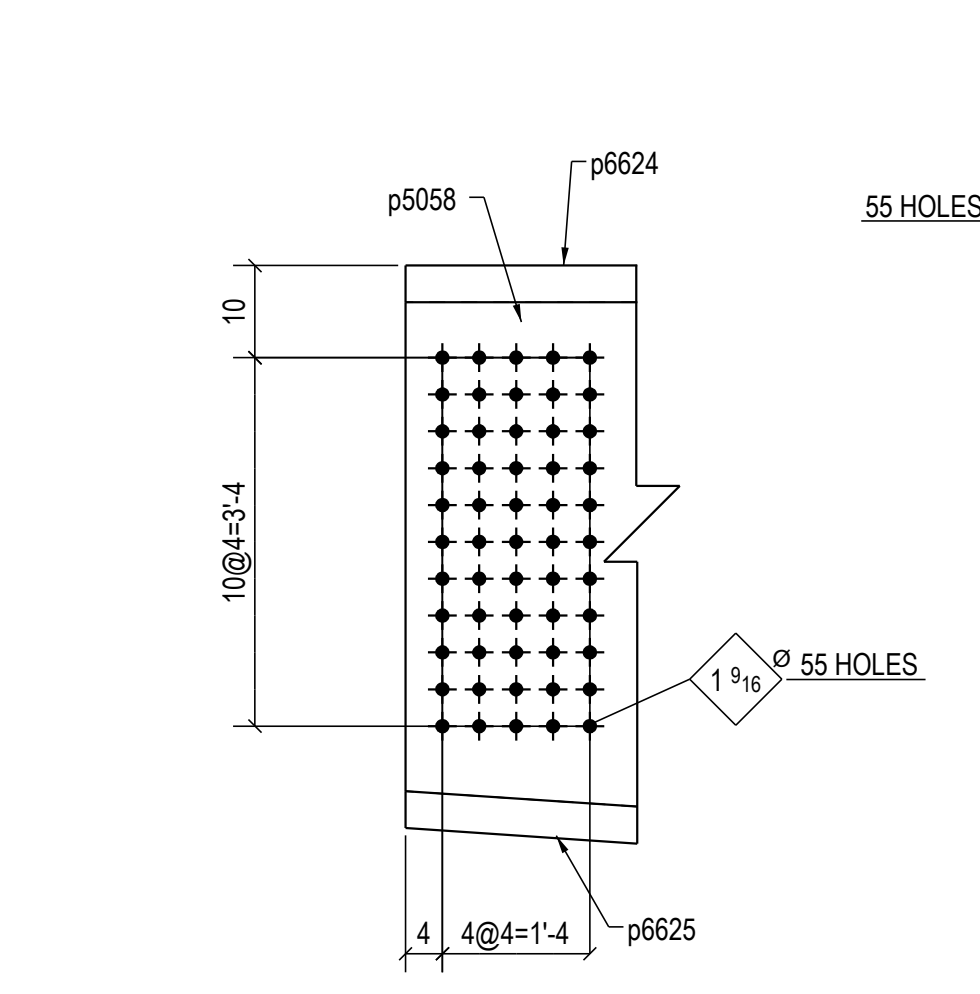
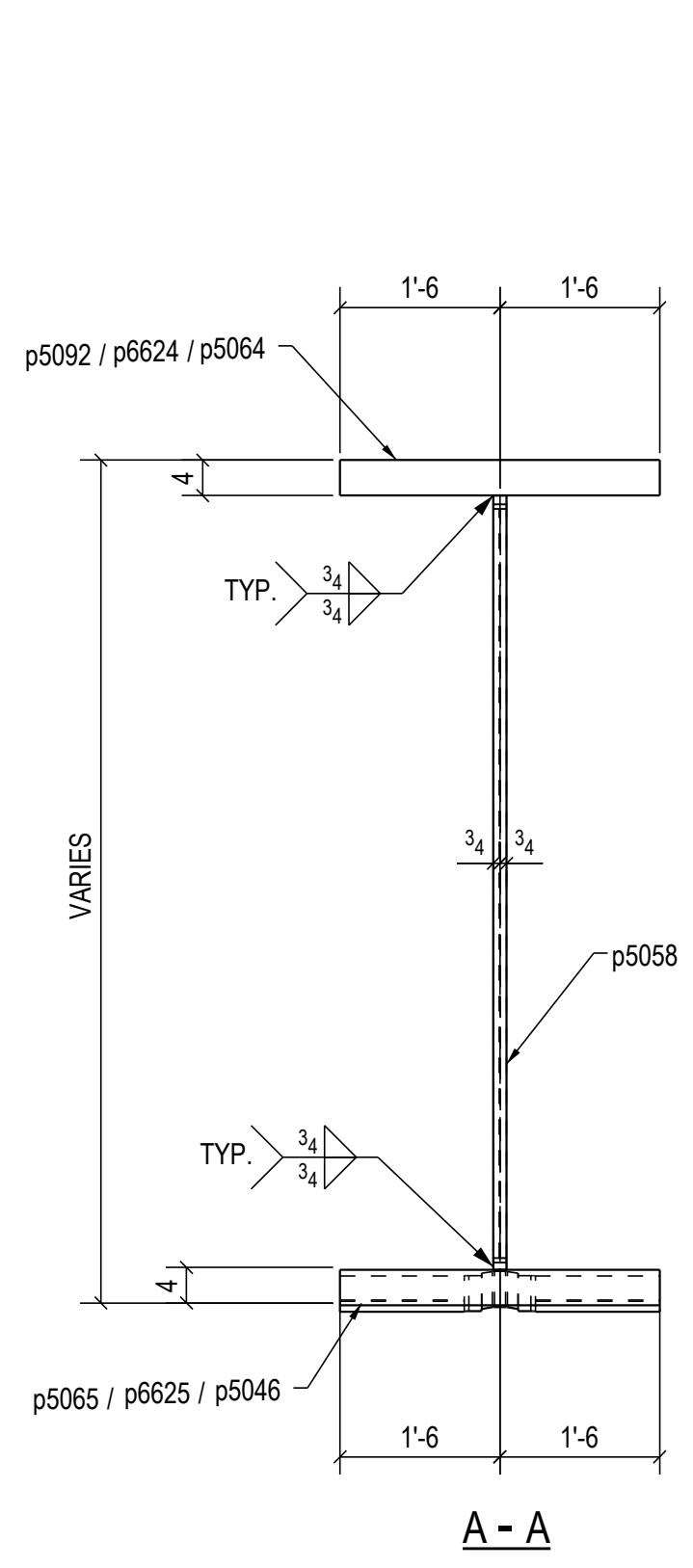
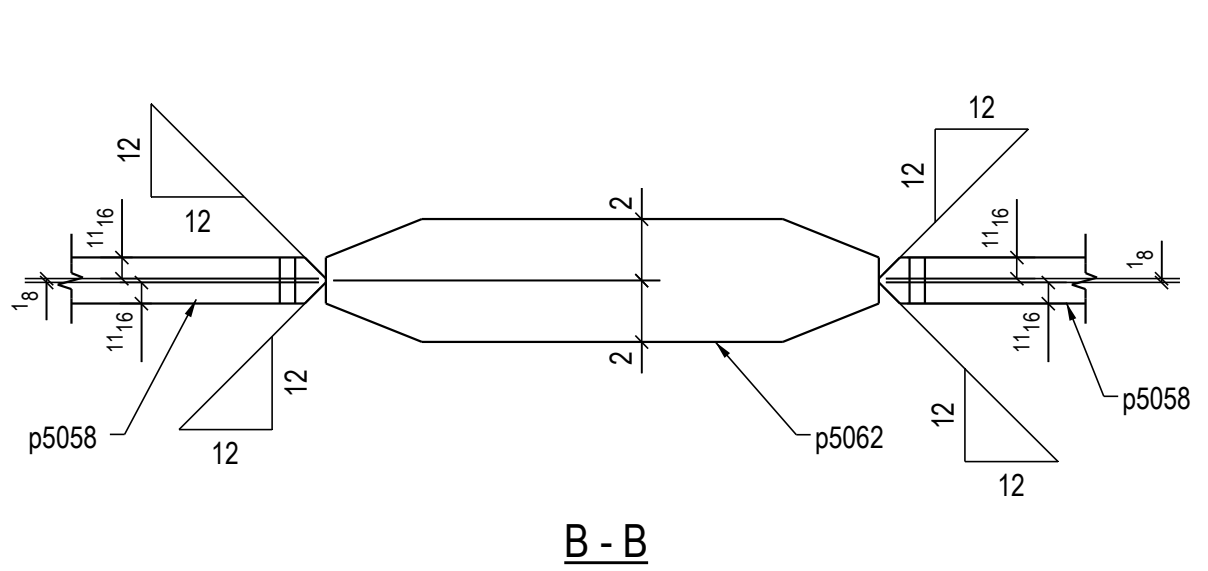


BILL OF MATERIAL									
QTY	DESCRIPTION	LENGTH	MARK	MTL. GR.	REMARKS	LIST	CODE	MO(MTO)	
ONE	BUILT-UP BEAM SHAFT		X151						
1	PL4"x36"	19 11 15/16"	p5046	2	CVN-P C=3"			See below	
2	PL1 1/2"x87 5/16"	42 11"	p5058	2	C=3"			See below	
1	PL4"x18"	10 3 1/2"	p5062	2	CVN-P			See below	
1	PL4"x36"	27 8"	p5064	2	CVN-P C=3"			See below	
1	PL4"x36"	20 0"	p5065	2	CVN-P C=3"			See below	
1	PL4"x36"	29 10"	p5092	2	CVN-P			See below	
1	PL4"x36"	29 10"	p6624	2	CVN-P			See below	
2	PL4"x36"	23 9 7/16"	p6625	2	CVN-P			See below	



- ONE ~ BUILT-UP BEAM SHAFT ~ X151**
- C/W 1 - PL4"x36"x19'-11 15/16" - p5046
 - C/W 2 - PL1 1/2"x87 5/16"x42'-11" - p5058
 - C/W 1 - PL4"x18"x10'-3 1/2" - p5062
 - C/W 1 - PL4"x36"x27'-8" - p5064
 - C/W 1 - PL4"x36"x20'-0" - p5065
 - C/W 1 - PL4"x36"x29'-10" - p5092
 - C/W 1 - PL4"x36"x29'-10" - p6624
 - C/W 2 - PL4"x36"x23'-9 7/16" - p6625

*WORK THIS DWG. WITH A2671

MATERIAL	SHOP NOTES: SEE GN1	REF. DWG.	REVISION	BY	CHK	DATE
CODE	HOLES: 15/16 Ø U.N.O.	E25	3 CUT ADDED	RCB	R	04/06/2015
INPUT	PAINT: SEE GN1		2 CAMBER DIAGRAM REVISED	TF	DML	09/09/2014
	FINISH: SEE GN1		1 CAMBER DIAGRAM ADDED	TF	DML	07/24/2014
			0 ISSUED FOR CONSTRUCTION	VMP	PW	04/14/2014
APPROVED						
SHOP						

FABRICATOR:
 HERRICK STEEL CORPORATION
 3003 EAST HAMMER LANE
 STOCKTON, CA 95212

TRADE SUB:
 SKANSKA USA CIVIL WEST-CAD
 1995 AGUA MANSÁ ROAD
 RIVERSIDE, CA 92509

MODELER: **CANDRAFT**
 889 CARNARVON ST.
 NEW WESTMINSTER,
 B.C. CANADA

DESIGN CONSULTANT:
 THORNTON TOMASETTI INC.
 6080 CENTER DRIVE, SUITE260
 LOS ANGELES, CA 90045-5318

SKANSKA 1995 AGUA MANSÁ ROAD
 RIVERSIDE, CA 92509

PROJECT
**TRANSBAY TRANSIT CENTER
 TRANSIT CENTER BUILDING
 SAN FRANCISCO, CA**

SUBCONTRACT NO. 30100071R
 CITY OF SAN FRANCISCO

TITLE
**BUILT UP BEAM SHAFT
 TIER - 1 SEQUENCE - CS8**

DRWN: AND DATE: 02/19/2014 CHKD: RSC DATE: 02/21/2014

JOB No. **098008** DWG. No. **P151**

QTY	TIER	SECT	GRID LOC.
1		CS8	17-19/F